

No dimension should be measured on the plan
All dimensions are given in cm
All dimensions and levels must be checked on site
before starting any work. Any discrepancies should
be reported to the architect.
This plan must be read in conjunction with any other
plan relating to the same works. Any discrepancy
noted must be reported to the architect.

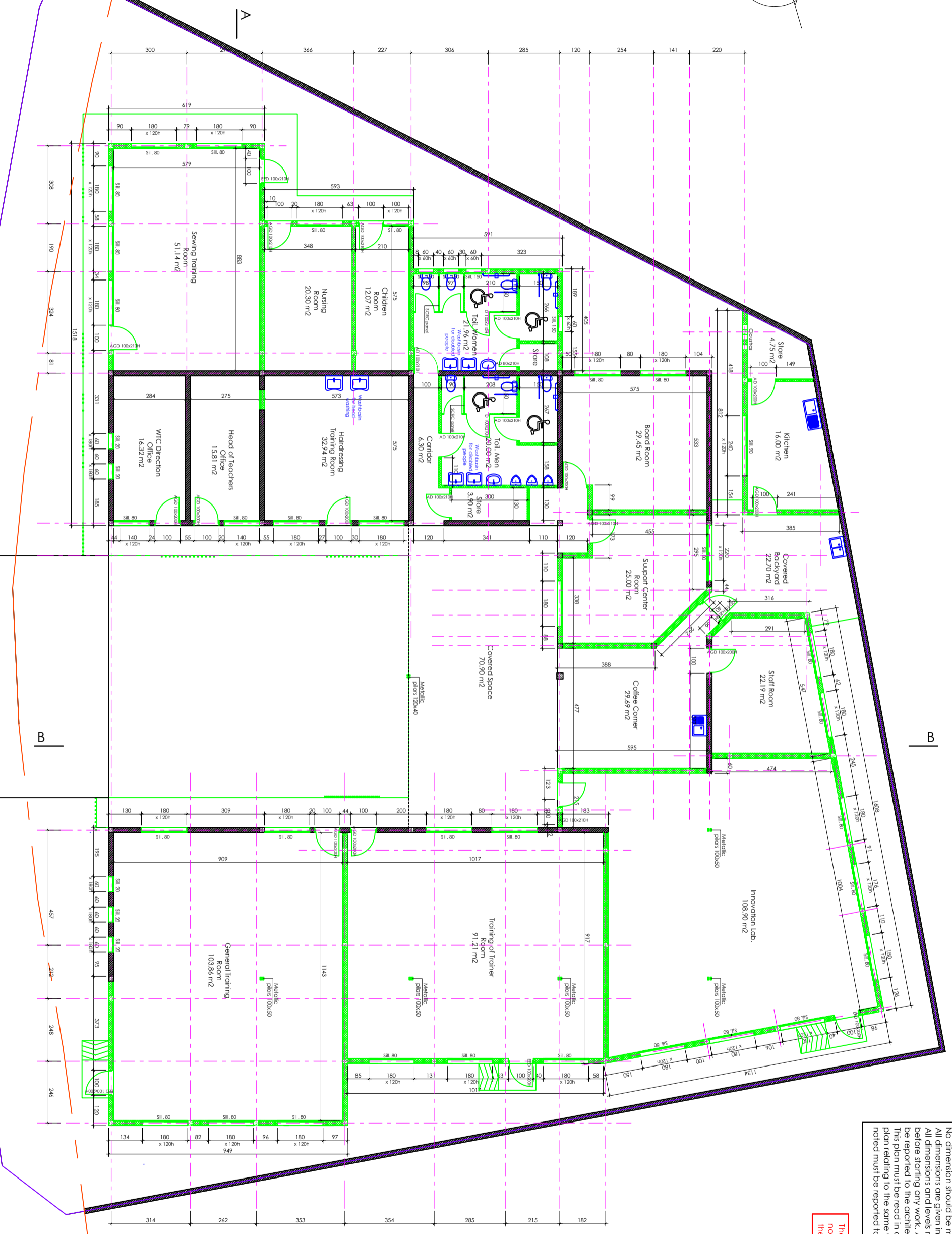
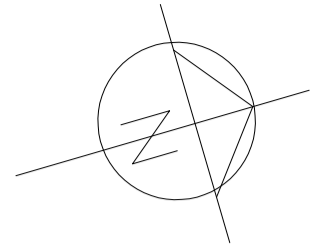
All the works of this layout are
included in Phase one of the
project

LEGENDE
To be demolished

Soak pit for Rain Water
Septic Tank
Soak pit for ST

Modifier fenetres
et portes

Modifier fenetres
et portes



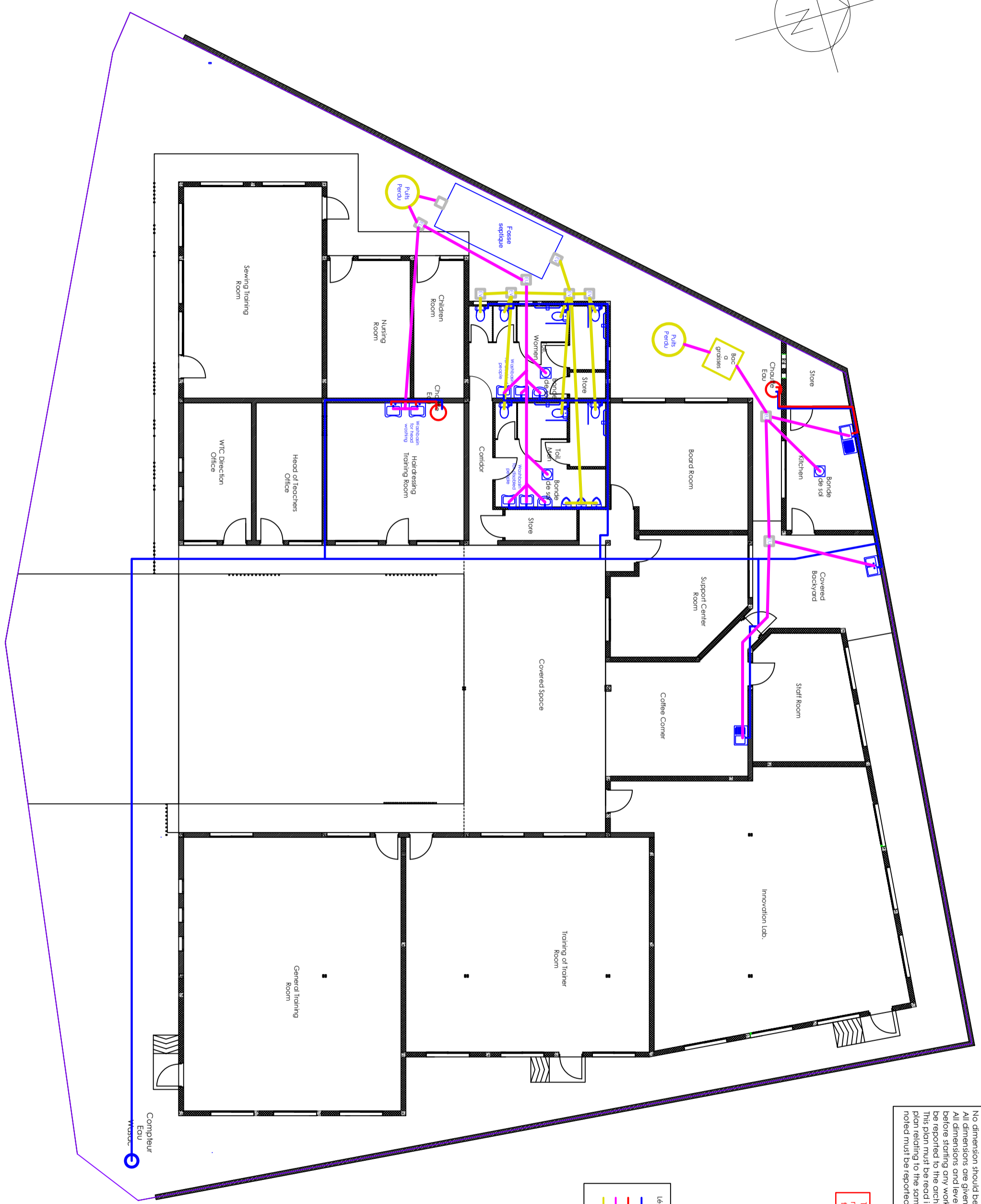
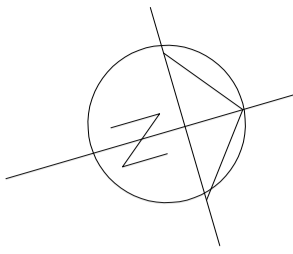
No dimension should be measured on the plan
 All dimensions are given in cm
 All dimensions and levels must be checked on site before starting any work. Any discrepancies should be reported to the architect.
 This plan must be read in conjunction with any other plan relating to the same works. Any discrepancy noted must be reported to the architect.

The sanitary equipment are not included in Phase one of the project

LEGENDE

Existing

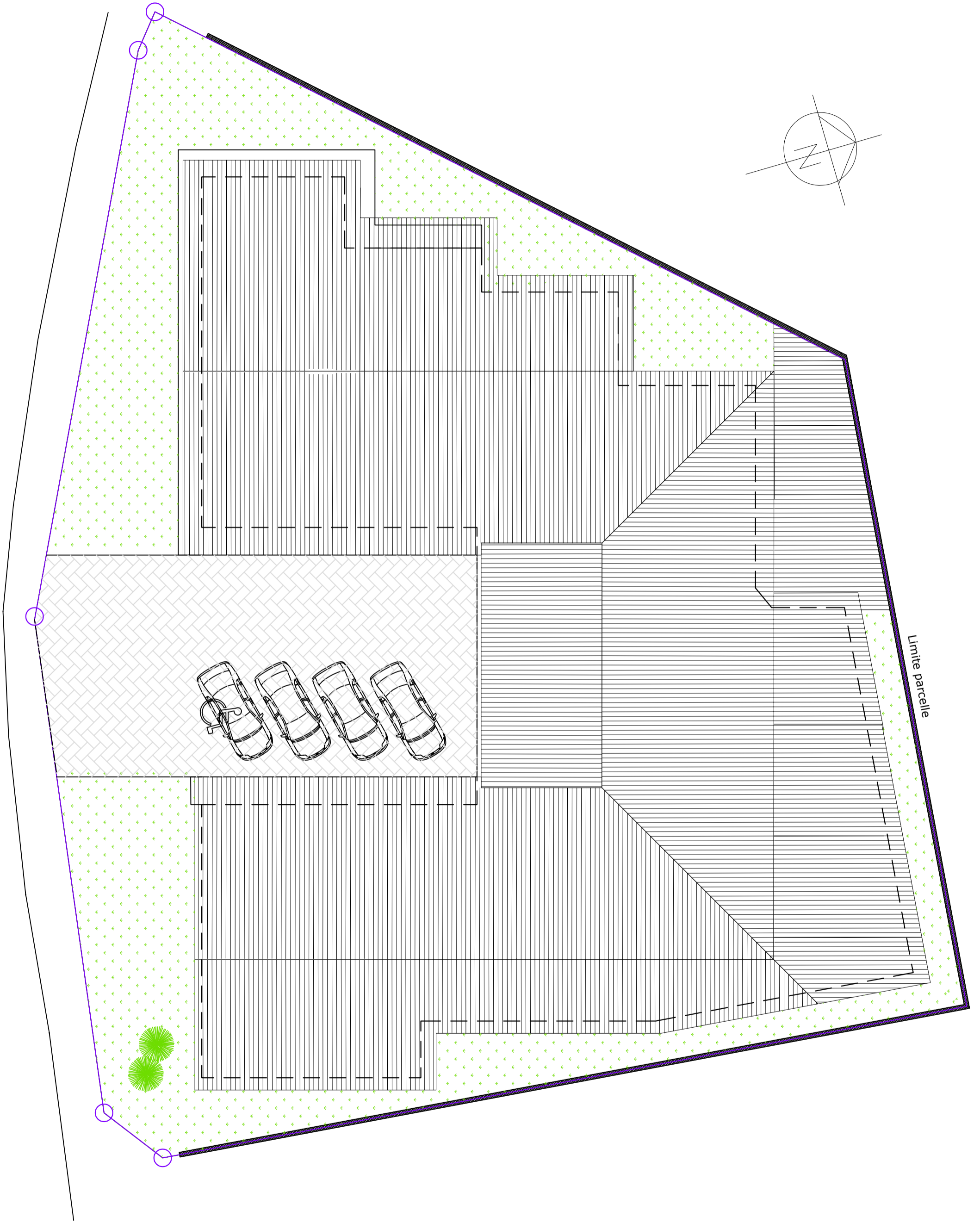
To be built



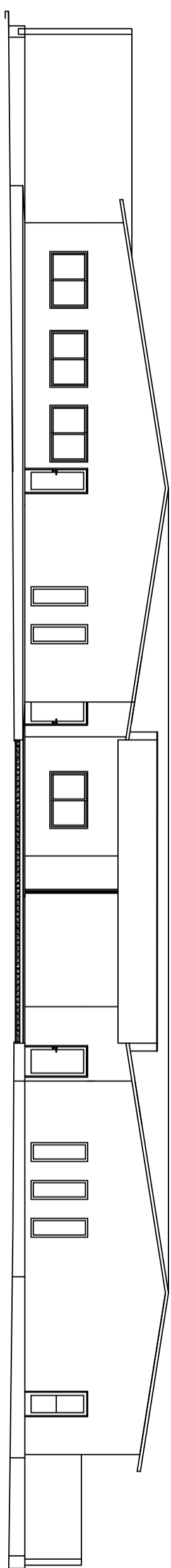
No dimension should be measured on the plan
 All dimensions are given in cm
 All dimensions and levels must be checked on site
 before starting any work. Any discrepancies should
 be reported to the architect.
 This plan must be read in conjunction with any other
 plan relating to the same works. Any discrepancy
 noted must be reported to the architect.

The sanitary equipment are
 not included in Phase one of
 the project

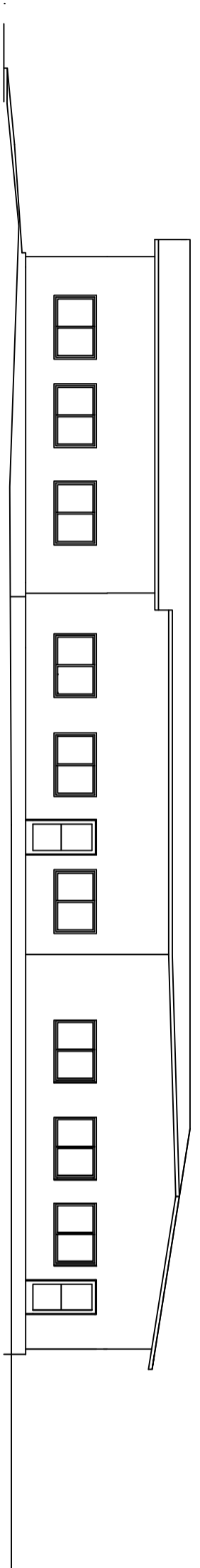
- Légende
- Eau froide
 - Eau chaude
 - Eaux froides
 - Eaux usées
 - Eaux chaudes



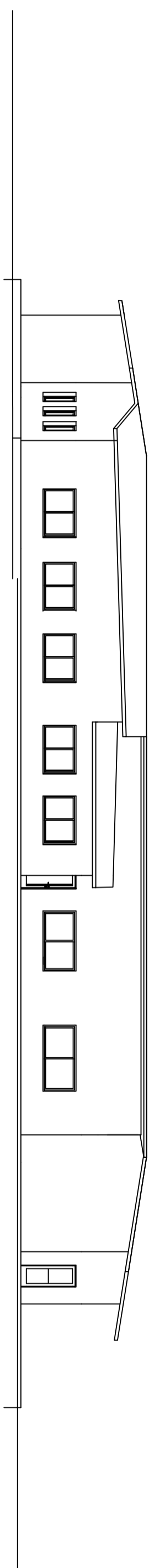
No dimension should be measured on the plan
All dimensions are given in cm
All dimensions and levels must be checked on site
before starting any work. Any discrepancies should
be reported to the architect.
This plan must be read in conjunction with any other
plan relating to the same works. Any discrepancy
noted must be reported to the architect.



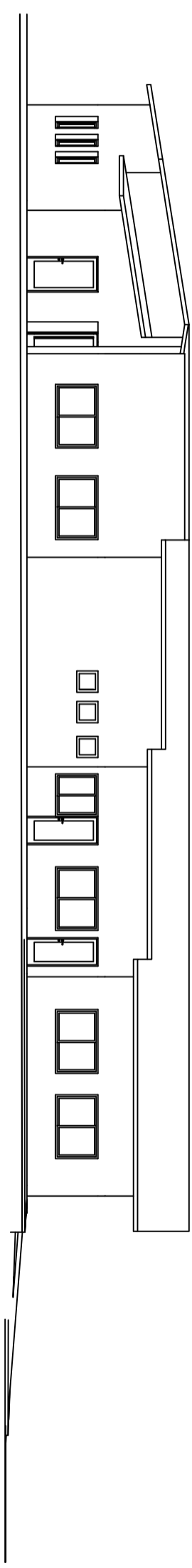
Front facade



Right facade

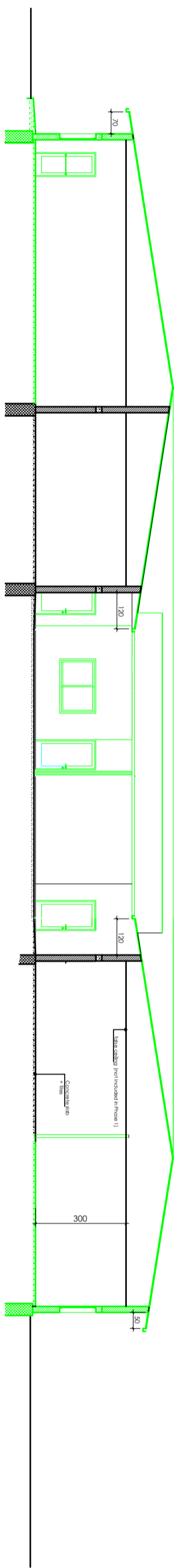


Back facade

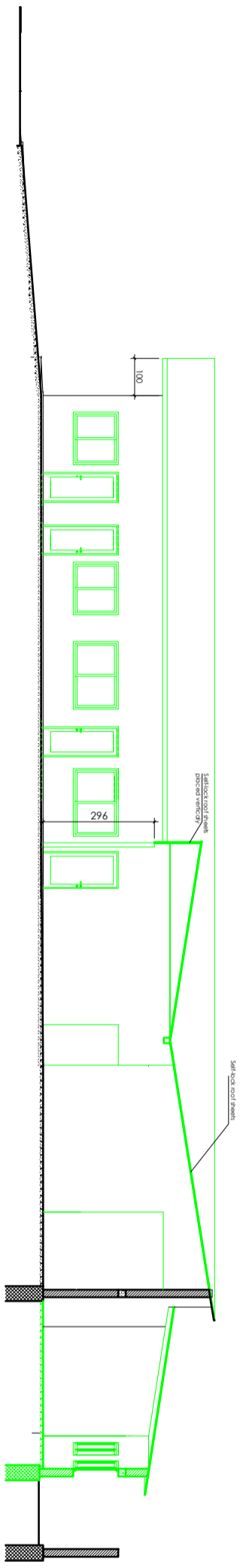


Left facade

No dimension should be measured on the plan
 All dimensions are given in cm
 All dimensions and levels must be checked on site before starting any work. Any discrepancies should be reported to the architect.
 This plan must be read in conjunction with any other plan relating to the same works. Any discrepancy noted must be reported to the architect.

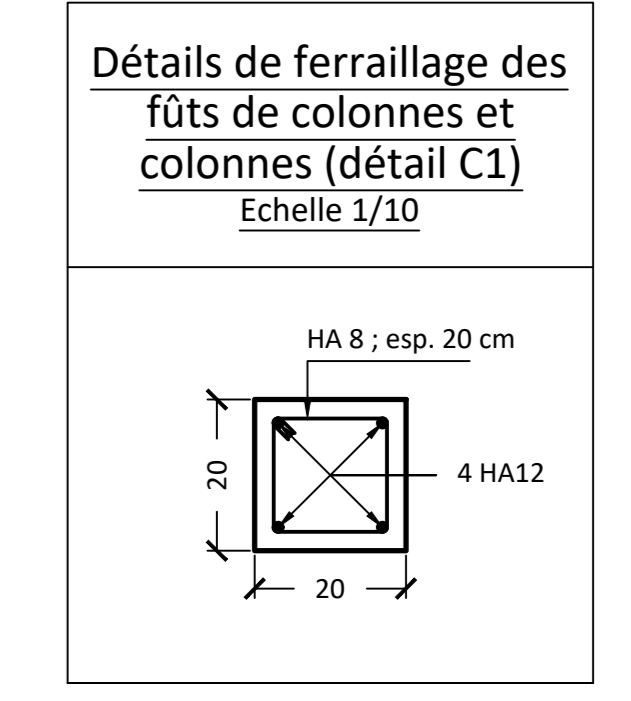
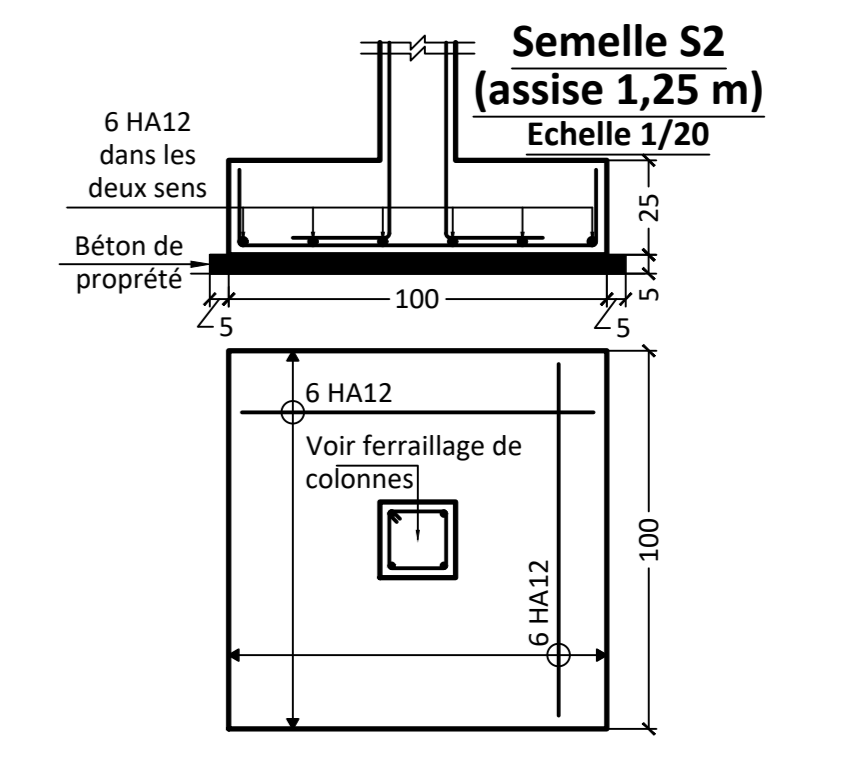
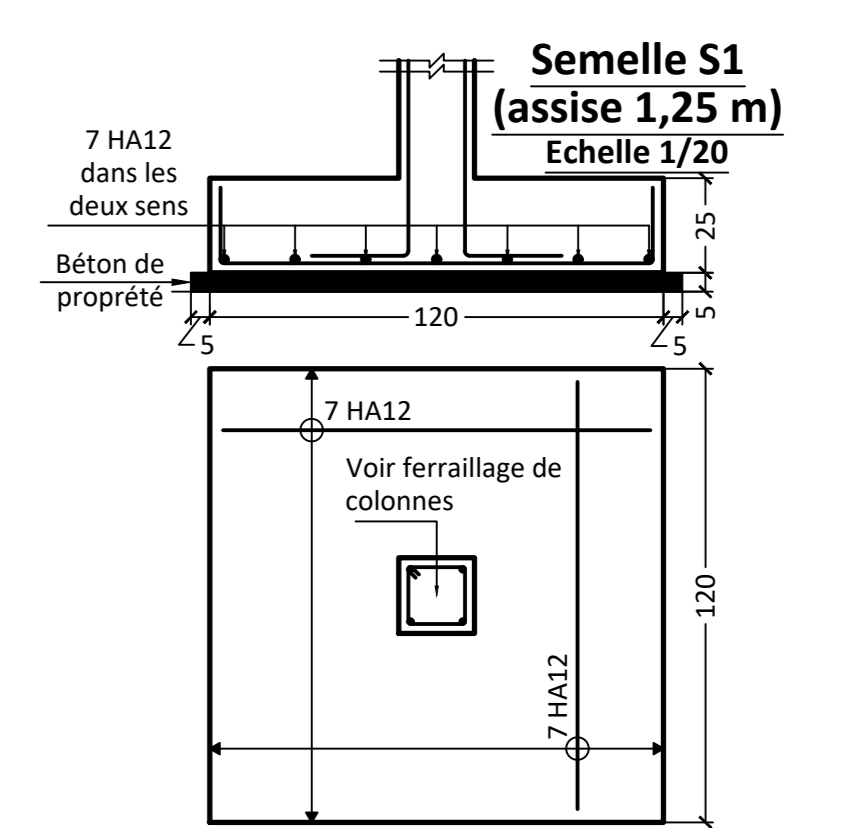
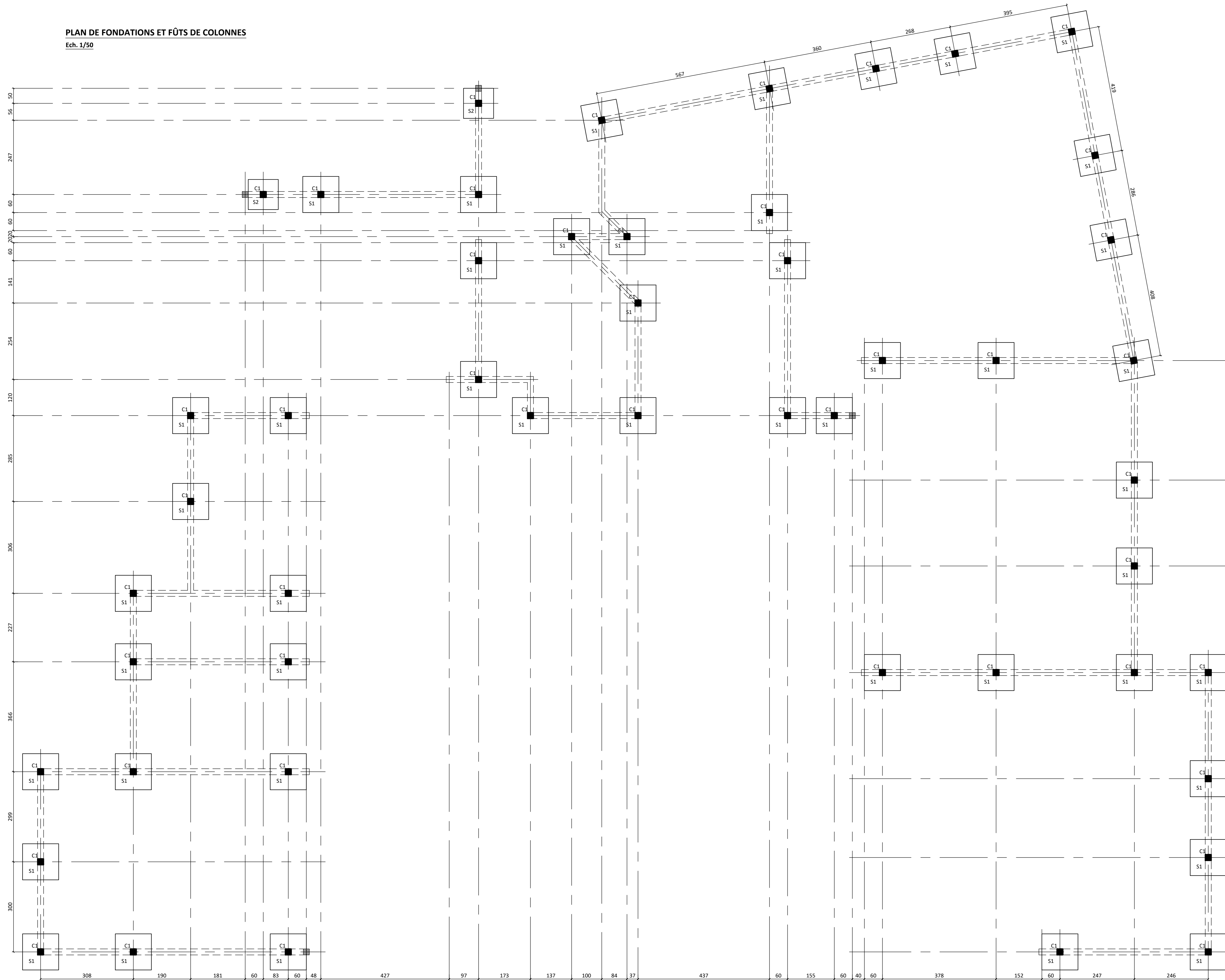


Coupe AA



Coupe BB

PLAN DE FONDATIONS ET FÛTS DE COLONNES
Ech. 1/50



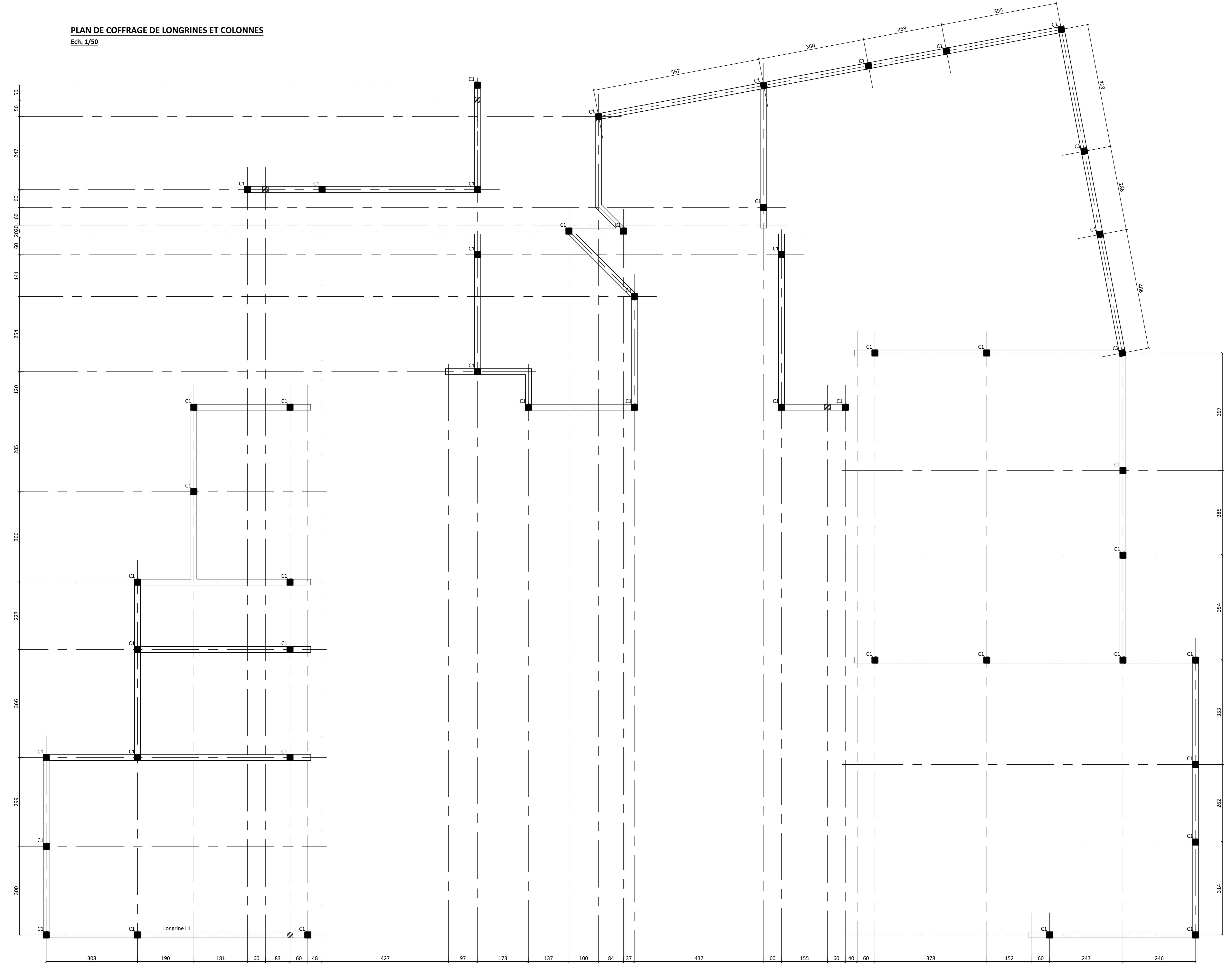
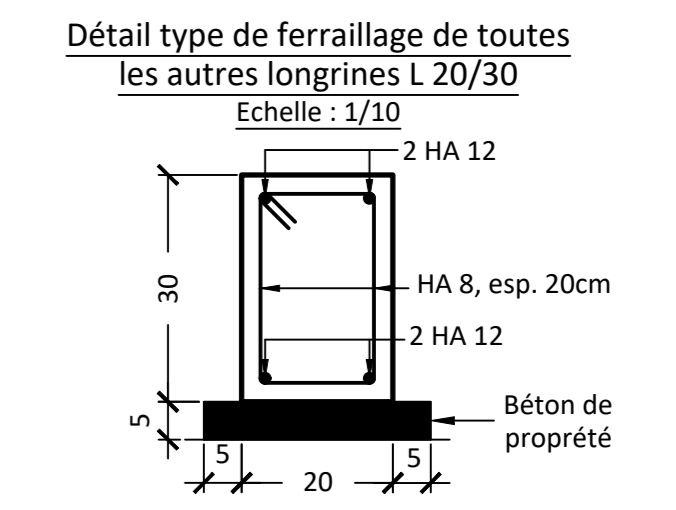
DIGITAL INCLUSION TRAINING CENTER PROJECT (DITC)

**KICUKIRO DISTRICT
KIGALI CITY
REPUBLIC OF RWANDA**

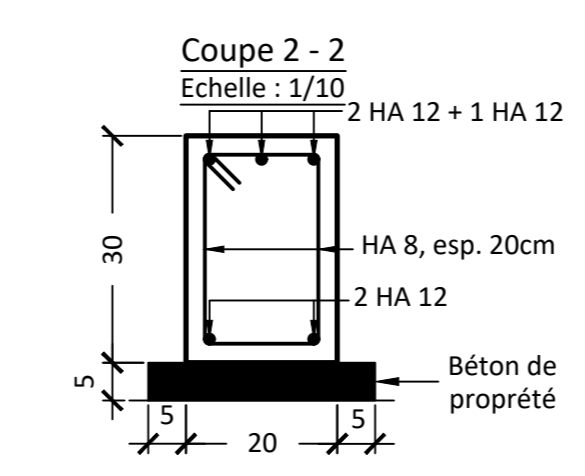
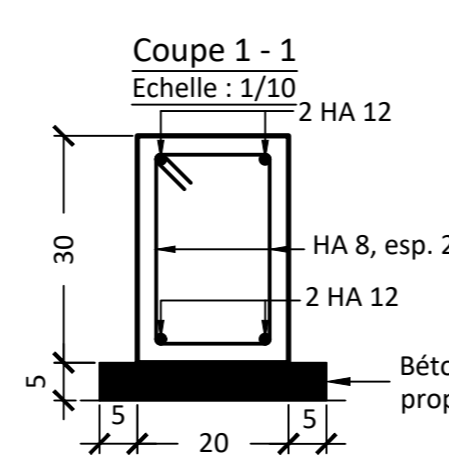
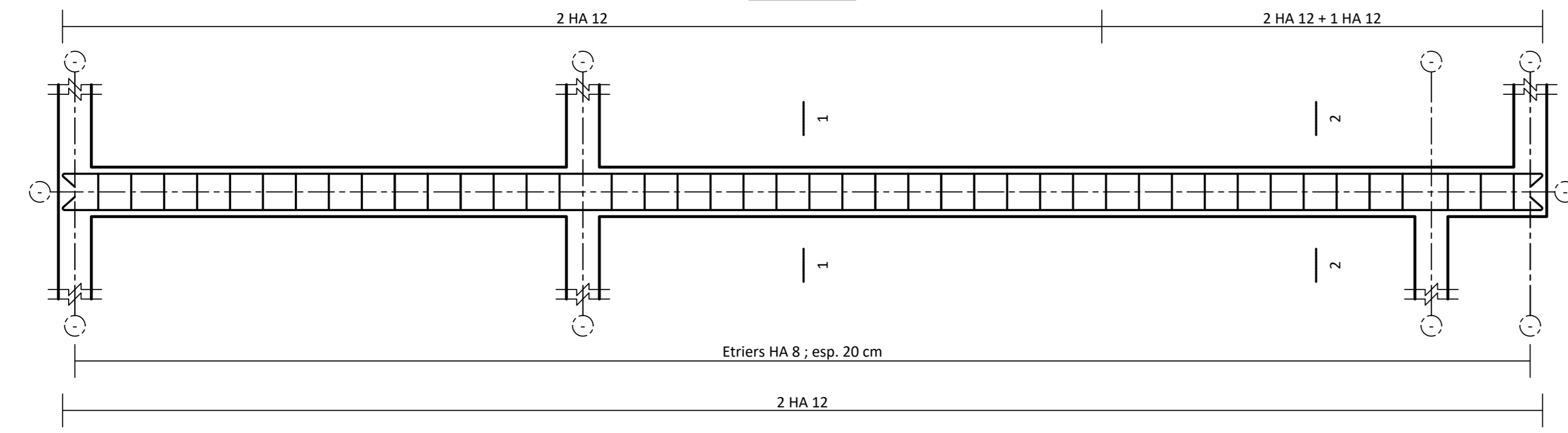
Drawing n° S.01
Foundation plan and details
Subcolumns and columns details
Modification:
.....

Date: February 2026 Scale : 1/50, 1/20 et 1/10 Format : A0

PLAN DE COFFRAGE DE LONGRINES ET COLONNES
Ech. 1/50



Détails de ferrailage Longrine L1
Echelle : 1/25



DIGITAL INCLUSION TRAINING CENTER PROJECT (DITC)

**KICUKIRO DISTRICT
KIGALI CITY
REPUBLIC OF RWANDA**

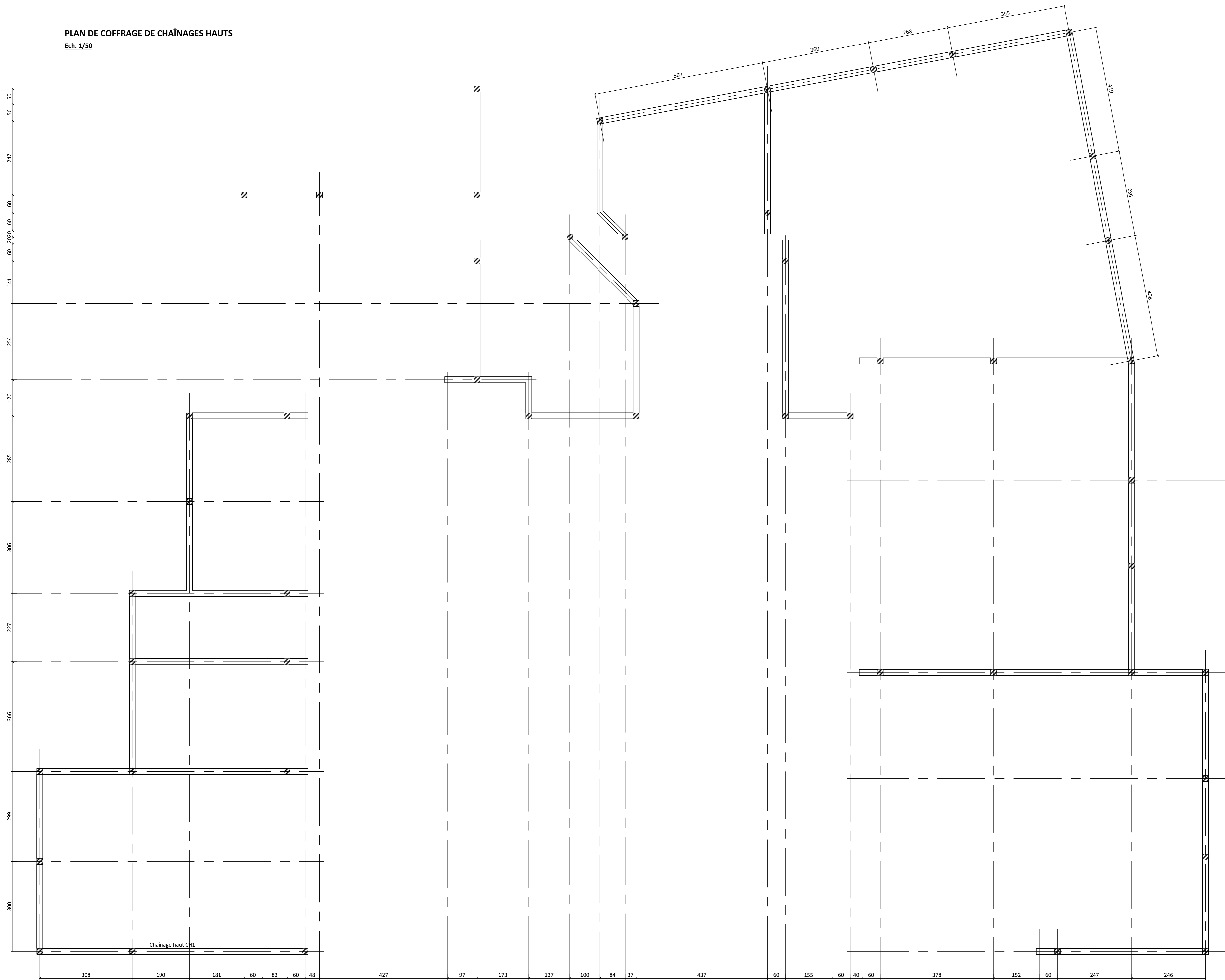
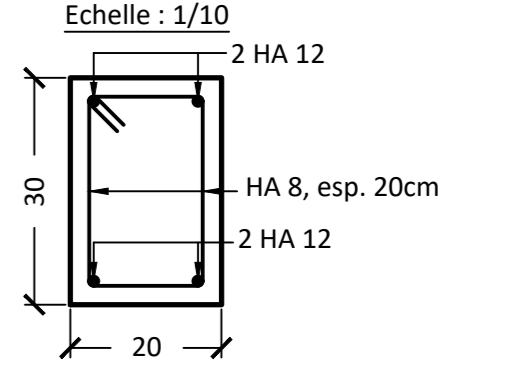
Drawing n° S.02
Groundbeams formwork plan and details

Date : February 2026 Scale : 1/50, 1/25 et 1/10 Format : A0

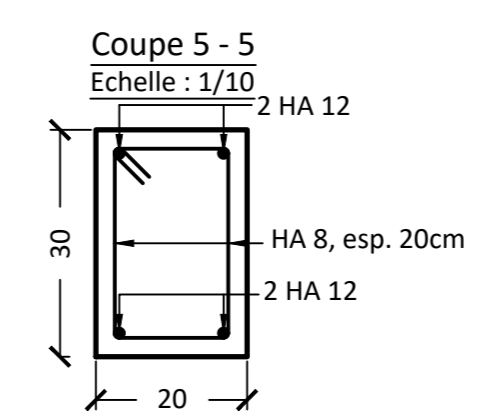
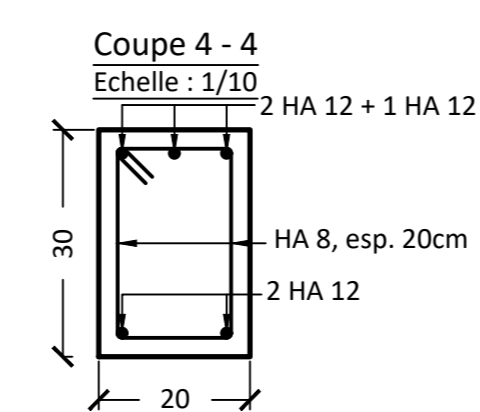
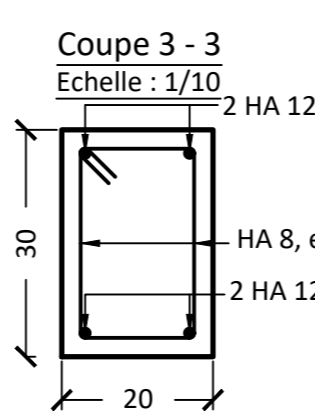
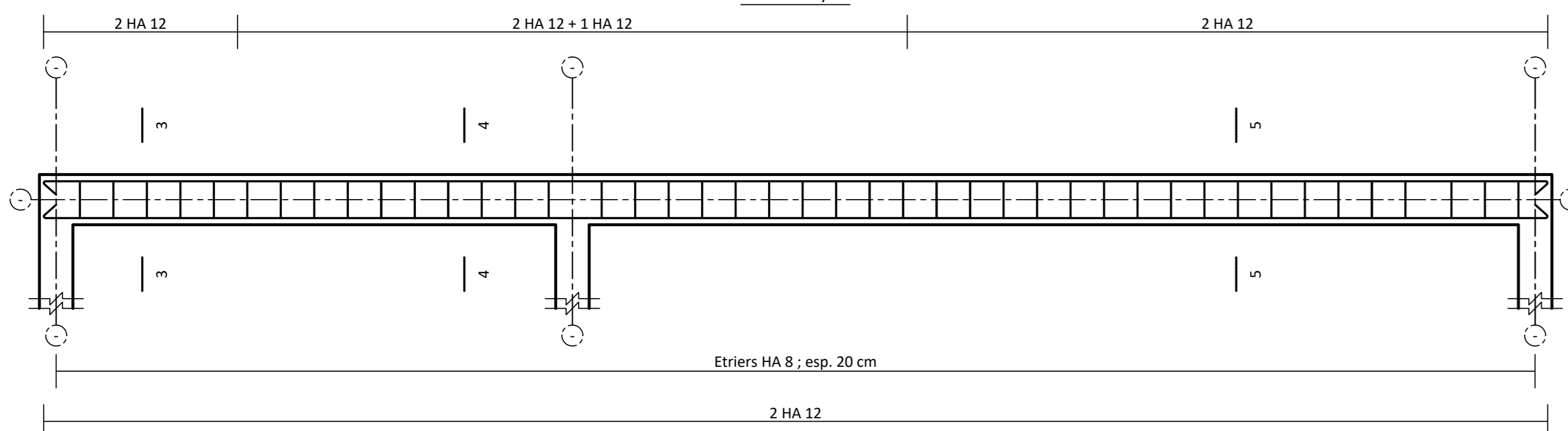
Modification:
.....

PLAN DE COFFRAGE DE CHÂINAGES HAUTS
Ech. 1/50

Détail type de ferrailage de tous les autres chaînages hauts CH 20/30



Détails de ferrailage Chaînage haut CH1
Echelle : 1/25



**DIGITAL INCLUSION TRAINING CENTER
PROJECT (DITC)**

**KICUKIRO DISTRICT
KIGALI CITY
REPUBLIC OF RWANDA**

Drawing n° S.03

Beams formwork plan and details

Modification:

Date : February 2026 Scale : 1/50, 1/25 et 1/10 Format : A0